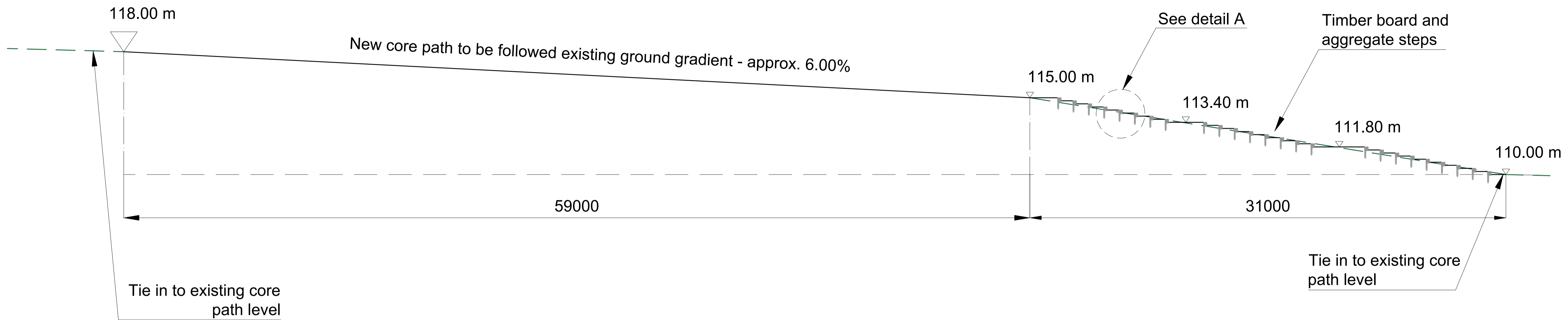


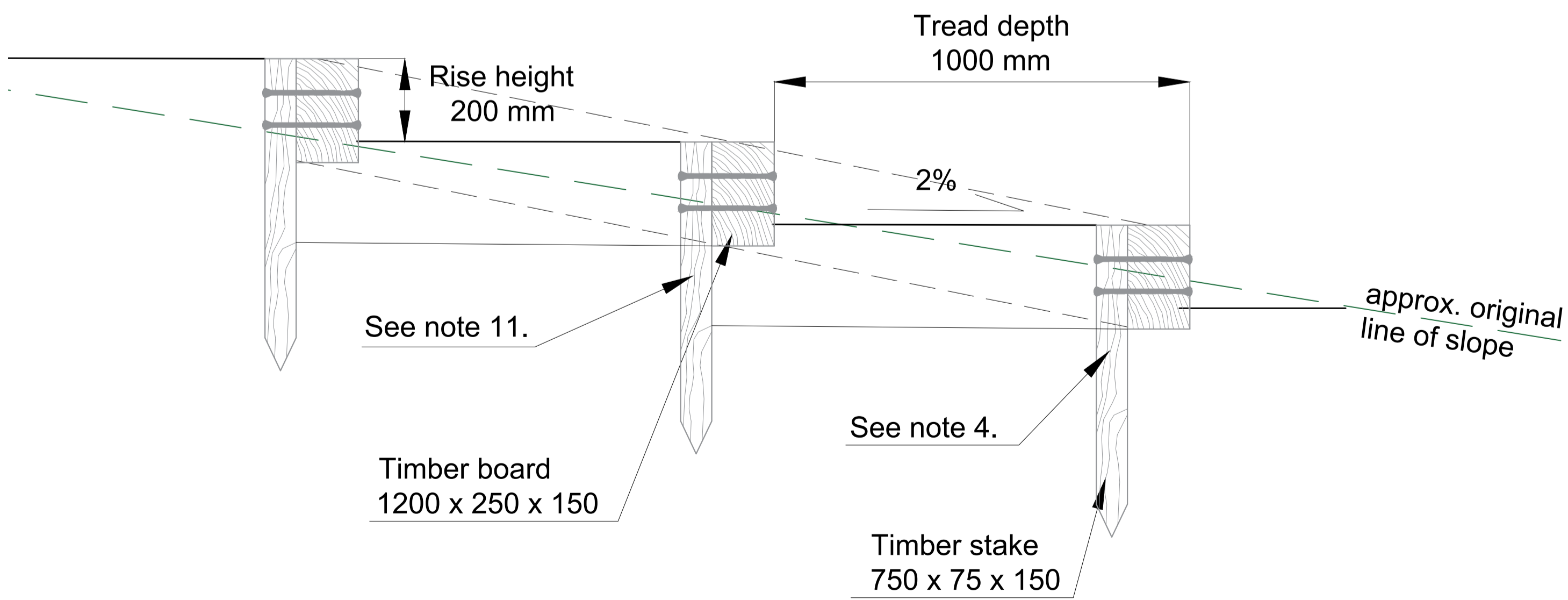
CORE PATH - STEEP SECTION LONG PROFILE scale 1:150



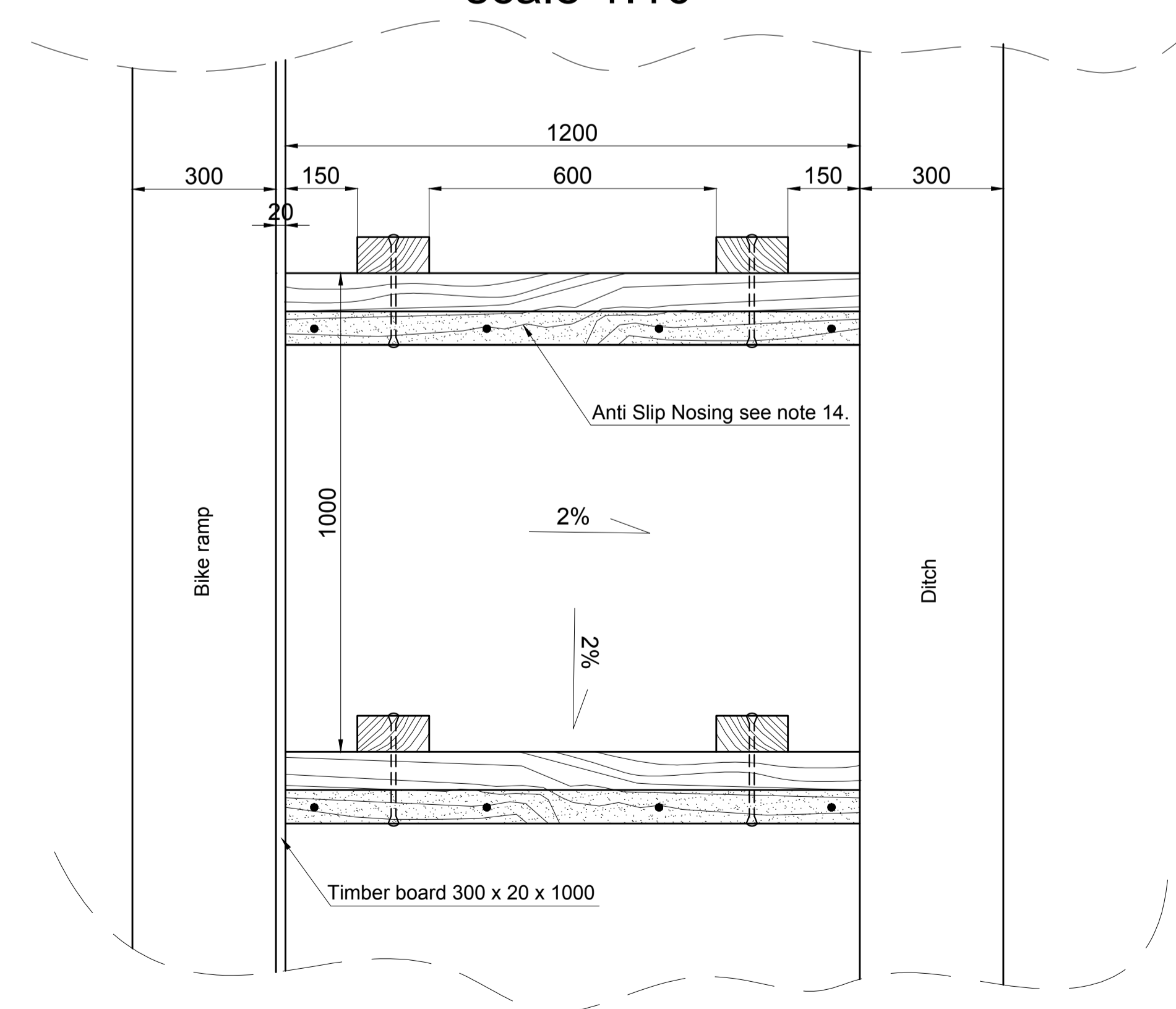
- GENERAL NOTES:**
1. ALL DIMENSIONS IN mm.
 2. Timber to be minimum strength grade C24 to Contractors proposals.
 3. Timber to be treated for a services life of 30 years. Refer to drawing SFC-1062-16-003 sheet 1/2
 4. Steps to be constructed by cutting into slope.
 5. Pegs should be fixed to the risers behind the board with 2 no. M10 x 240 mm cup square coach galvanised bolt per peg.
 6. Treads should be partially infilled with stone and soil gained during excavation of the steps: this should be well rammed in and firmly compacted. The top 50 mm-100 mm should be infilled with aggregate sub-base - 25 mm to dust.
 7. Treads should have 2% fall away from the riser and 2% to the new ditch.
 8. Dino Grip Anti-Slip Steps Nosings. Black colour, Carbon and Silicon Grip Top Surface. 4 mm Thick. Panel size 70 mm x 30 mm x 1200 mm. Fixing as shown on drawing SFC-1062-16-004 2/2.

- REFERENCES:**
- Drawing is based on:
1. Countryside Access Design Guide. Scottish Natural Heritage. 2002.
 2. Lowland Path Construction. A Guide to Good Practice.
 3. Outdoor Access Design Guide.
 4. Path for All.

DETAIL A - TIMBER BOARD AND AGGREGATE STEPS CROSS SECTION scale 1:10



DETAIL A - TIMBER BOARD AND AGGREGATE STEPS PLAN scale 1:10



Rev	Date	Details	By	Chkd
1	15.06.2017	ISSUED FOR TENDER	KZ	PH
0	22.05.2017	ISSUED FOR COMMENTS	PP	KZ


ABERDEEN CITY COUNCIL
 Communities, Housing and Infrastructure
 Public Infrastructure and Environment
 Structures Flooding and Coastal Engineering
 Business Hub 11, 2nd Floor West
 Marischal College, Broad Street, Aberdeen
 AB10 1AB
 General Enquiries Telephone: 03000 200 292

Client: **ABERDEEN CITY COUNCIL**

Drawing Title: **Core Path CP 42 TIMBER STEPS**

Drawn	Checked	Date	Scale	Sheet size
KZ	PH	22.05.2017	AS NOTED	A1
Drawing Number		Sheet No.	Revision	
SFC-1062-16-004		1/2	1	